

Metamark DS-200

Specifications

Finished Graphic Panel Size
2200mm (h)
(includes 200mm bleed)

Visual Graphic Size
2000mm (h) (10mm of graphic hidden by top gripping hanger.)

Recommended Media
Metamark MD-RU200 / MD-RU300

Maximum Finished Graphic Panel Thickness
250 micron

Components List
DS-200 unit
3 part bungee pole
Graphic hanger with snap rail
Carry Bag

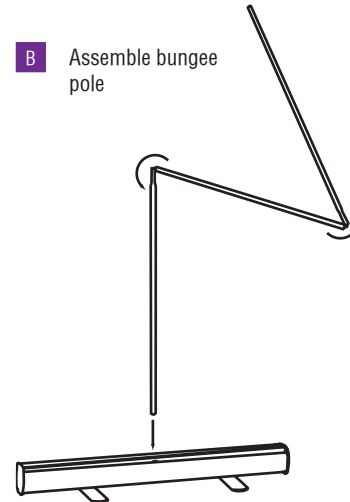
Warranty:
1 year from date of purchase.
This covers product failure due to manufacturing defects only.

Assembly Instructions

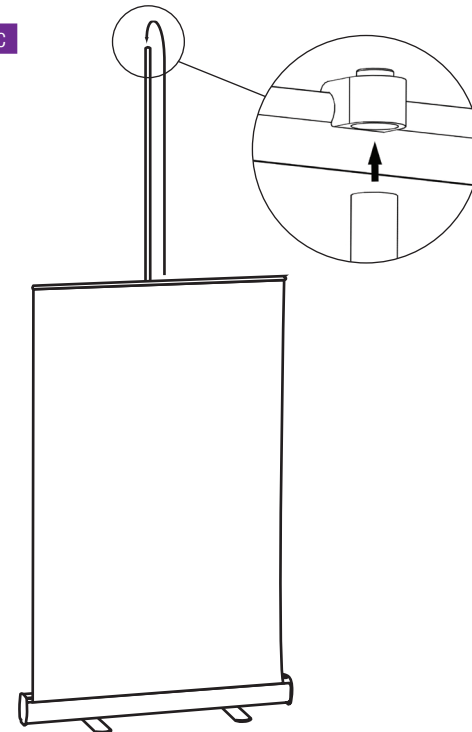
A Rotate feet into position



B Assemble bungee pole

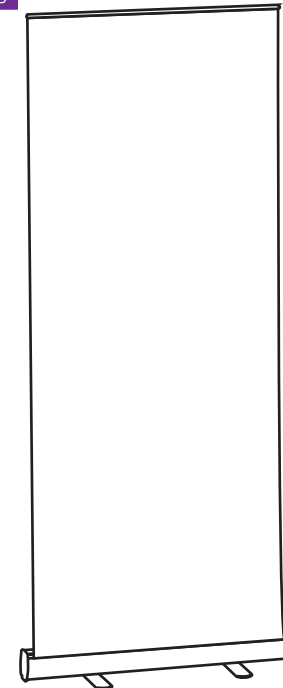


C



Attach top hanger

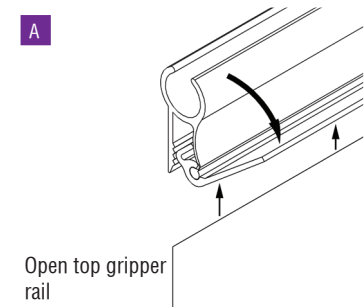
D



Completed Roller Banner Stand

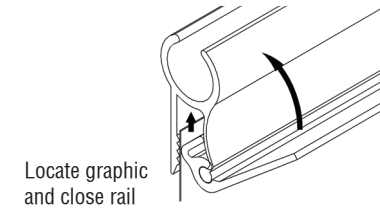
Graphic Attachment

A



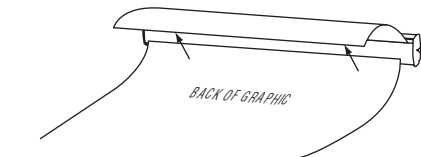
Open top gripper rail

B



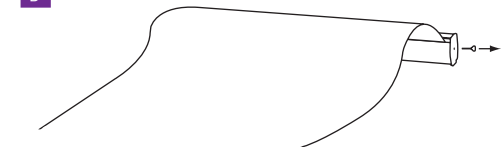
Locate graphic and close rail

C



Attach rear bottom edge of graphic to double-sided tape on leader sheet.
Note: Ensure very careful alignment.

D



Holding onto graphic, remove locking pin and allow graphic to slowly retract into unit.